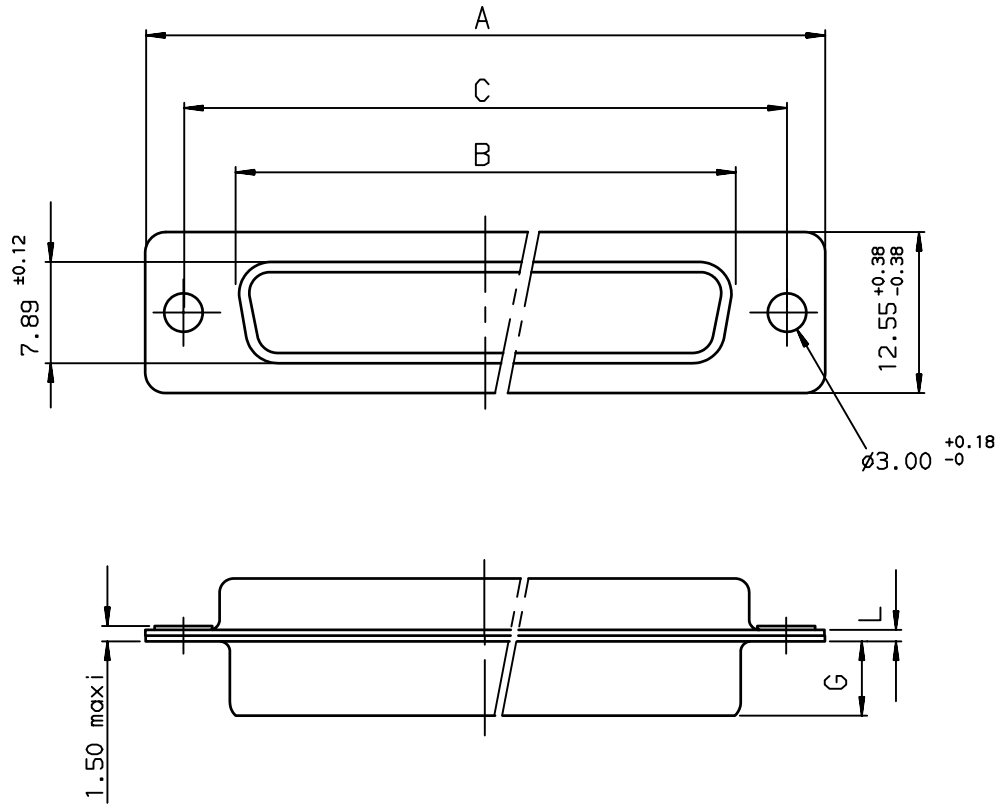


Dimensions are in millimeters



Shell size	Number of contacts	A $^{+0.76}_{0}$	B $^{+0.25}_{0}$	C ± 0.12	F $^{+0.13}_{-0.03}$	G $^{+0.25}_{0}$	L $^{+0.22}_{0}$	Part number	Part number
E	09	30.43	16.21	24.99	10.64	6.05	0.80	8655-3148	8655-3148T
A	15	38.76	24.54	33.32	10.64	6.05	0.80	8655-3149	8655-3149T
B	25	52.65	38.25	47.04	10.64	6.05	0.80	8655-3150	8655-3150T
C	37	68.94	54.71	63.50	10.64	6.05	0.80	8655-3151	8655-3151T
								cadmium plated	tin plated

www.fciconnect.com		surface ISO 1302 <input checked="" type="checkbox"/>	tolerance std ISO 406 ISO 1101	projection 	mm
TOLERANCES UNLESS OTHERWISE SPECIFIED					
Dr	JOUBERT	2006/01/12	ANGULAR	0.X ± 0.1	size A3
Eng	PESSON	2006/01/12	LINEAR	0.XX ± 0.1	Scale 3
Chr	LEGARE	2006/01/12	0.XX' $\pm 2'$	0.XXX ± 0.1	ECN LS06-0101
Appr	LEGARE	2006/01/12	Product family D-SUB		Spec ref -
		title SOCKET METAL CAPS PACKAGING 5 PIECES		dwg no C01-8655-1536	Rev. D
catalog no		-		CUSTOMER	sheet 1 of 1

rev	ecn no	dr	date
A	-	SJA	2000/03/09
B	LS05-0070	LGO	2005/09/09
C	LS05-0123	LGO	2006/01/12
D	LS06-0101	MPE	2006/06/19
-	-	-	-
-	-	-	-
-	-	-	-

Copyright FCI.